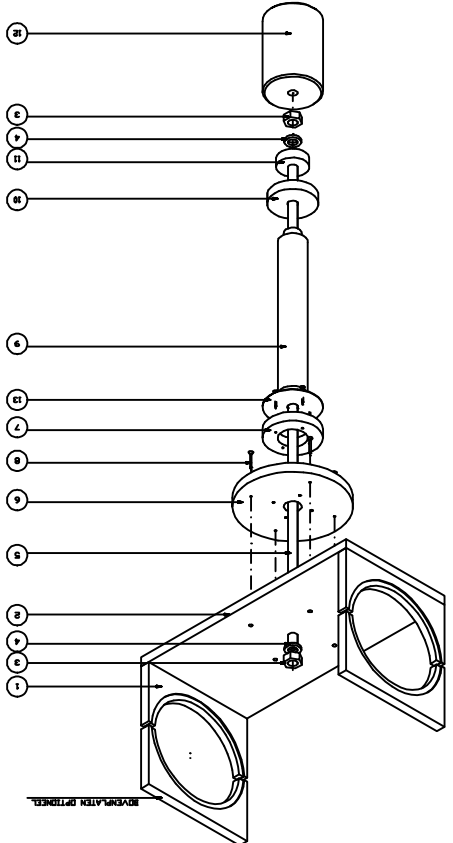


13	1	SCHELF E FORMICA 4850 1mm DIKTE
12	1	CEILINGLICHT STAAL
11	1	SCHELF MALTIPLEX 80 mm Ø 850
10	1	SCHELF MALTIPLEX 80 mm Ø 850
9	1	AS Ø 50
8	12	VIS 3 mm x 25
7	1	SCHELF MALTIPLEX 80 mm Ø 850
6	1	SCHELF MALTIPLEX 18 mm Ø 850
5	1	SCHELF MALTIPLEX 80 mm Ø 850
4	2	ROEDEL M16
3	1	WASSTANG M16
2	1	ROEDEL M16
1	1	ZIPLAAT MALTIPLEX 240 x 230 x 18mm



Header	Quantity	Title/name, designation, material, dimension etc	Article nr./reference
Designed by	Checked by	Approved by - date	Date
PVG	CB	09/09/99	09/09/99
URANIA		Finname	Scale
DECLINATIEAS			
PART - 3 -			Edition Sheet
			1/1